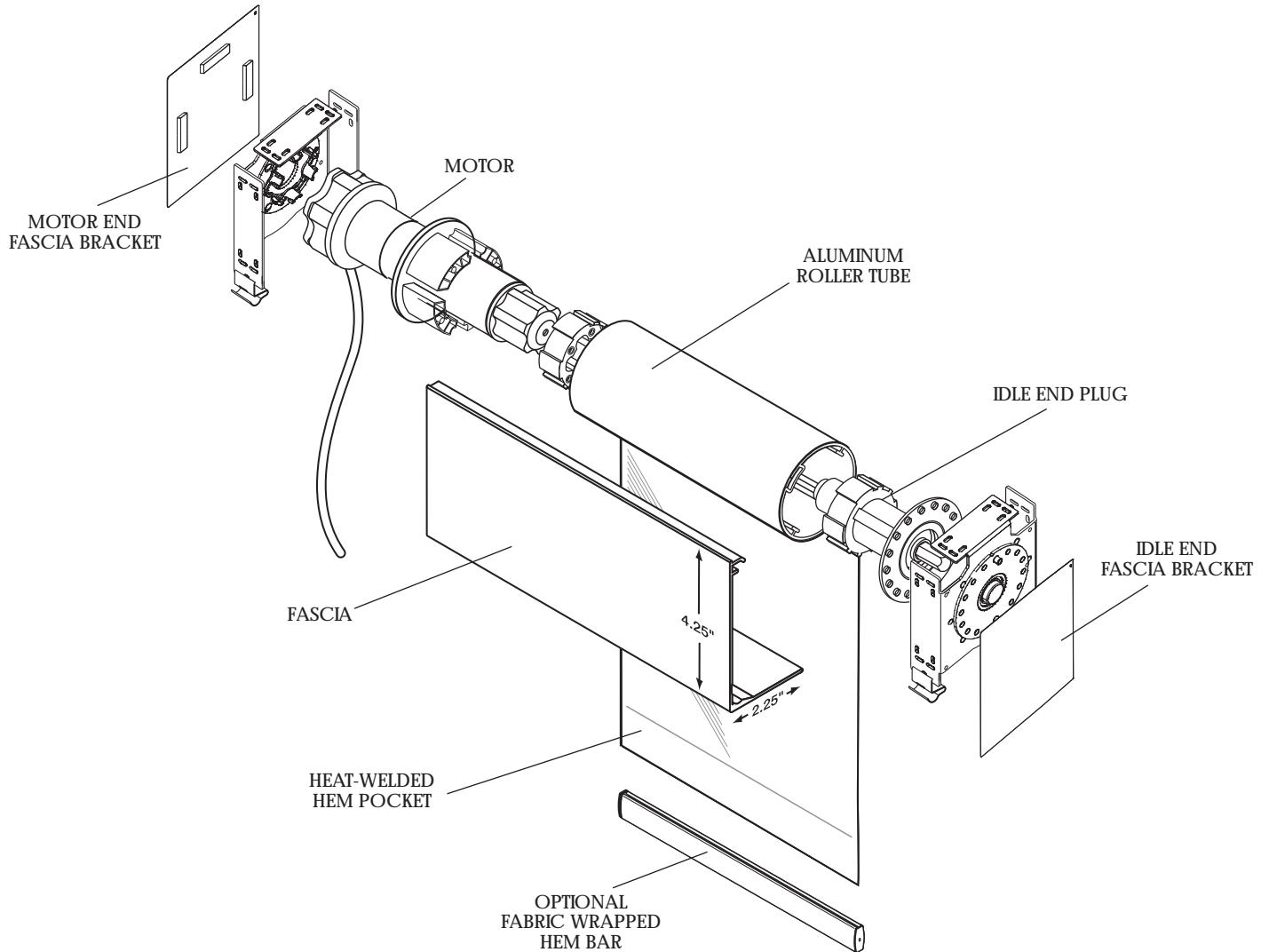


## Data Sheet

## STANDARD (60mm) MOTORIZED SHADE WITH FASCIA



- Shades are raised and lowered by means of a line voltage AC motor.
- All motors come standard with a quick disconnect plug.
- Roller tube is extruded aluminum engineered with a channel to accept fabric spline making the shade panel easy to remove.
- Adjustable idle end bracket allows shades to be leveled while in place.
- Hem bar is extruded aluminum and completely enclosed in a heat-welded hem pocket. Optional fabric wrapped bottom hem bar.
- 4.25" x 2.25" fascia available on line voltage AC motorized systems. Available in white, vanilla, clear anodized, bronze or black.
- Edge gap is 1-1/8" on the motor end and 3/4" on the idle end.